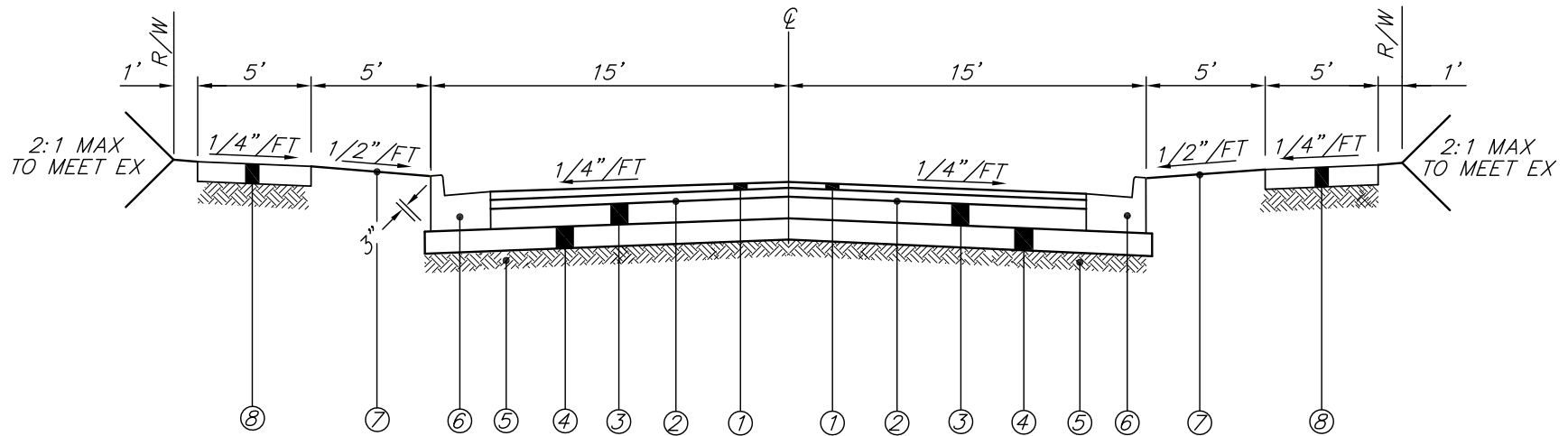


**STANDARD
CONSTRUCTION
DRAWINGS**



① ITEM 448 – 2" ASPHALT CONCRETE SURFACE COURSE

② ITEM 407 – TACK COAT (0.1 GAL/SY)
(TO BE APPLIED NOT LESS THAN 9 MONTHS
AFTER FIRST 2" COURSE OF 448 ASPHALT
CONCRETE HAS BEEN INSTALLED)

③ ITEM 301 – 3" ASPHALT CONCRETE BASE

④ ITEM 304 – 6" GRANULAR SUBBASE (CONSTRUCTED IN 2 3" LIFTS)

⑤ ITEM 204 – SUBGRADE COMPACTION

⑥ ITEM 609 – TYPE 2 COMBINED CURB AND GUTTER

⑦ ITEM 659 – SEEDING AND MULCHING

⑧ ITEM 608 – 5" CONCRETE WALK
*7" AT DRIVE APRON

* ALL WIDTHS ARE MINIMUM

RESIDENTIAL ZONE TYPICAL SECTION